

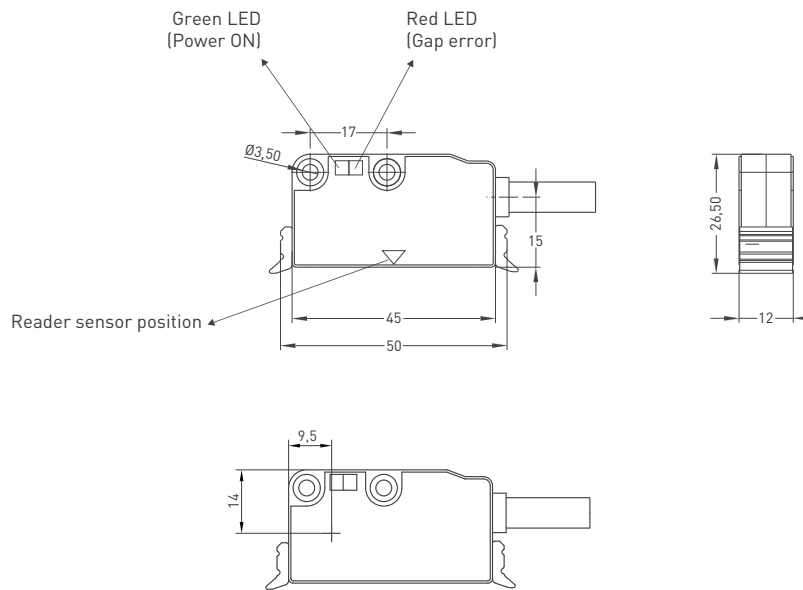
- 2,5 / 5 / 10 / 12,5 / 20 / 25 µm resolution(4x mode)
- Magnetic contactless measurement
- Push-Pull, TTL, Linedriver or HLD output options
- Single reference (standard) or continuous reference (optional)
- IP 66 protection



Technical Specifications

Pole pitch	5 mm
Gap sensor/tape (max)	5 : 2,5 mm
Resolution	2,5 / 5 / 10 / 12,5 / 20 / 25 µm (4x mode)
Type of measurement	Magnetic incremental non-contact
Accuracy	Up to ± 20 µm
Output signal type	TTL, Linedriver, Push-Pull, High Linedriver
Power supply	8 - 24 VDC (standard), 5 VDC (optional)
Electrical connections	2,5 m cable (standard), 1 m cable with DB9 connector (optional)
Case material	Zamac with nickel satin coating
Displacement speed	3 m/s with LED indicator (standard) 15 m/s without LED indicator (optional)
Protection level	IP 66
Operating temperature	-20°C ... +80°C
Storage temperature	-30°C ... +90°C

Mechanical Specifications



LD / HLD Cable Output

- Ch A : Black
- Ch A inv. : Yellow
- Ch B : White
- Ch B inv. : Green
- Ch Z : Orange
- Ch Z inv. : Red
- +V : Brown
- 0V : Blue
- GND : Shield

TTL / LTP Cable Output

- Ch A : Black
- Ch B : White
- Ch Z : Orange
- +V : Brown
- 0V : Blue
- GND : Shield

Ordering Procedure

Model	Resolution	Output signal type	Pole pitch	Output signal	Power supply	Connector / Cable
MLI	T20 (4x mod)	LTP	5	B	V2	2M5
MLI	T10 : 2,5 µm T20 : 5 µm T40 : 10 µm T50 : 12,5 µm T80 : 20 µm T100 : 25 µm	LTP : Push-Pull LD : Linedriver TT : TTL HLD : High Linedriver	5 : 5 mm pole pitch	B : A,B 5Z : A,B,Z (Continuous reference) Z : A,B,Z (Standard reference optional)	V1 : 5 VDC V2 : 8 - 24 VDC	2M5 : 2,5 meter cable (standard) 9 pin Connector other cable lengths available (Optional)