

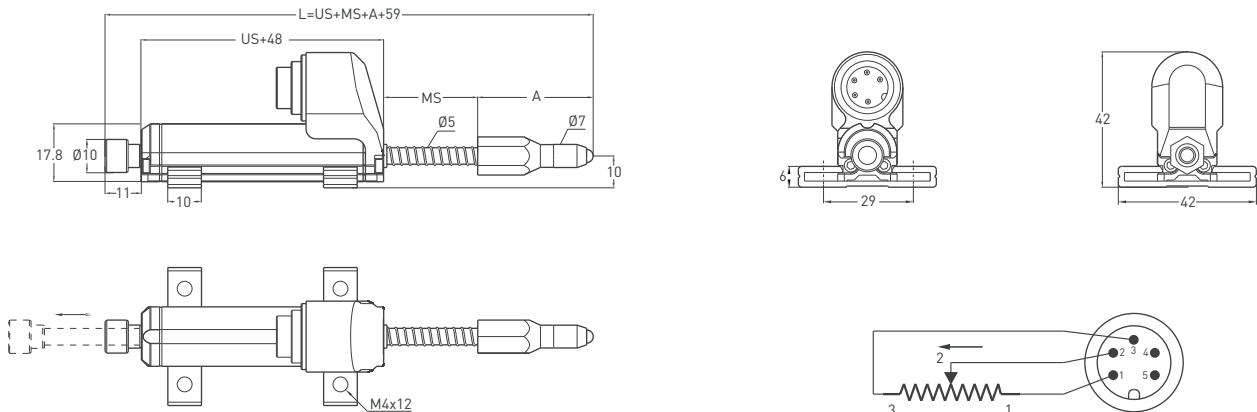
- Measuring range 10 - 100 mm
- Long mechanical life
- Excellent repeatability <0.01 mm
- Infinite resolution
- 2 kOhm: 10 - 25 mm
- 5 kOhm: 75 - 100 mm



Technical Specifications

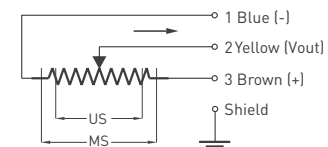
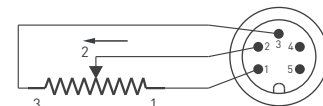
Measurement stroke	10 - 100 mm
Linearity	±%0,2 (75 - 100 mm), ±%0,5 (<75 mm)
Repeatability	< 0.01 mm
Resolution	Infinite
Resistance	2 kOhm : 10 - 25 mm 5 kOhm : 75 - 100 mm
Resistance tolerance	± %20
Load resistance	100 kOhm min.
Recommended wiper current	<1 µA
Permissible applied voltage	28 VDC max.
Electrical connections	Connector or 1 m cable output
Displacement speed	< 5 m/s
Mechanical life	100 million movement
Case dimensions	Ø18 mm
Case material	Anodized aluminium
Rod material	Stainless steel
Rod diameter	Ø5 mm
Mechanical fixing	Variable brackets
Protection level	IP 65 - EN 60529
Operating temperature	-20°C ... +80°C
Storage temperature	-30°C ... +90°C

Mechanical Specifications



SLPKS (mm)	10	25	50	75	100
US [Usefull stroke]	10	25	50	75	100
MS [Mechanical stroke]	13	28	53	78	103
L [Total length]	117	147	204	254	304

A	
SLPKS	35
SLPKS 25	35
SLPKS 50	42
SLPKS 75	42
SLPKS 100	42



Ordering Procedure

Model	Measurement stroke (mm)	Linearity (%)	Resistance (kOhm)	Connector / Cable
SLPKS	100	A	5K	1M
SLPKS	10 - 100 mm	A : ±%0,5(<75 mm) B : ±%0,2 (75 - 100 mm)	2K : 2 kOhm (<75 mm) 5K : 5 kOhm (75-100mm)	1M : 1 meter cable(standard) C5 : Connector