

Capsule Slip Ring LPC-125B

This unit can be used in any electromechanical system that requires unrestrained, continuous rotation while transferring power or data from a stationary to a rotating structure. It is also called a rotary electrical interface, commutator, collector, swivel or an electrical rotary joint.

The LPC-125B capsule slip ring is a standard, off-the-shelf unit that uses gold contacts at the rotary interface. Color-coded lead wires are used on both the stator and rotor for simplifying electrical connections.

Using a 90° V-groove ring design for each ring, the LPC-125B provides smoother running, lower torque and lower electrical noise than competitive slip rings.

Specifications

Operating Speed	0-300 rpm
Number of Circuits	125
Voltage	240 VAC/DC
Current Rating	2 amps per circuit
Temperature Range	-20°C to +60°C
Contact Material	Gold to Gold
Lead Size	28# silver plated copper
Lead Length	Standard 250 mm (9.843inch)
Dielectric Strength	≥500 VAC @50Hz, between each circuit
Insulation Resistance	100 MΩ @ 500 VDC
Electrical Noise	1mΩ Min

Capsule Length

# of Circuits	L (mm)	Part No
125	182	LPC-125B

- ◆ The operating life of the unit depends upon temperature, rotation speed and environment.
- ◆ The operating life ≥50,000,000 runs ref.

Features



- ✓ 2 amps per circuit ,240VAC/DC
- ✓ Gold-Gold contacts ensure long life time
- ✓ Compatible with data bus protocols
- ✓ Sealed units are also available
- ✓ Flexible, color-coded, silver-plated, nsulated lead wires
- ✓ Transfer analog and digital signals
- ✓ Mounting flange on the housing

Applications

- ✓ Electrical test equipment
- ✓ Manufacturing and process control equipment
- ✓ Indexing tables
- ✓ CCTV pan / tilt camera mounts
- ✓ Robotics, rotary sensors, urgent illumination equipmen
- ✓ Exhibit / display equipment/Closed-circuit control
- ✓ Aviation ,military ,instrument, medical equipment.
- ✓ Min-type wire-rolling machine / Closed-circuit control





TEMPERATURE RANGE
-20° C to 60° C



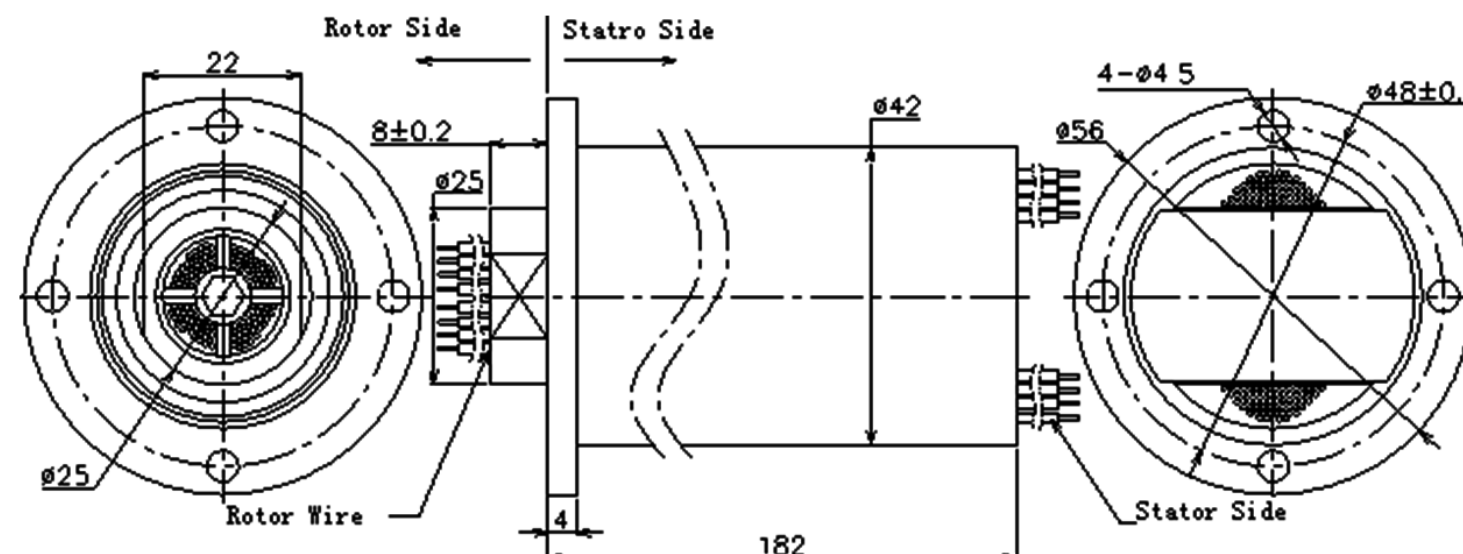
MAXIMUM OPERATING SPEED
0-300 RPM

Advantage



- ✓ Low torque minimizes system torque budget
- ✓ .Smooth running, Compact package
- ✓ Low electrical noise
- ✓ Prompt shipment per your urgent requirement
- ✓ 360° continuous rotation
- ✓ High bandwidth transfer capability
- ✓ Addition of special components
- ✓ Working speed would be up to 300rpm or higher
- ✓ Transfer analoge and digital signals

Drawings



MESSAGE

Any questions about slip ring, please leave your message to get a professional solution

PRODUCT CATEGORY

FORJ
Capsule slip ring
Through bore slip ring
Pancake slip ring
Mercury slip ring
Separate slip ring
Miniature slip ring
Wind turbine slip ring
Hydraulic slip ring
Pneumatic slip ring
Coaxial rotary joints

REQUESTS

Circuits
Current&voltage
Signal details
Dimension
Working speed
Working temperature
Operating
Environment
Other

INDUSTRIES

Surveillance
Crane
Medical
Marine
Defence
Radar antenna
Automation
Meter and instrument
Wind turbine generator
VR Device
Other

Wire Color Code

Wire Size	Ring #	Color	Ring #	Color	Ring #	Color	Ring #	Color
AWG17# silver plated copper Teflon UL	#1	BLK	#2	BRN	#3	RED	#4	ORG
	#5	YEL	#6	GRN	#7	BLK-BLU	#8	PUR
	#9	GRAY	#10	WIT	#11	PINK	#12	AZURY
	#13	WIT/BLK	#14	WIT/BRN	#15	WIT/RED	#16	WIT/ORG
	#17	WIT/YET	#18	WIT/GRN	#19	WIT/BLU	#20	WIT/PUR
	#21	WIT/GRAY	#22	CLAR	#23	BLK-RED	#24	BLK/BRN

Remarks: 1. AWG28# silver plated copper Teflon UL, 24 different color single wires for a circle
2. #1 from rotor side (The color if the wire can be changed).

Contact us on wire color codes



Send