

# G101G7

## 10.1" ARM A78 + A55 Rugged Robotic Control Station



### KEY FEATURES

- 10.1" 1920x1200 LED Panel with PCAP Touch
- Android 13.0/Linux Ubuntu
- 4G RAM + 64G eMMC
- ARM Genio 700 2 x A78 2.2GHz + 6 x A55 2.0GHz
- Supports WIFI, BT and optional 4G
- All-weather, dust, and water-resistant design (IP65). MIL-grade drop, Shock and vibration

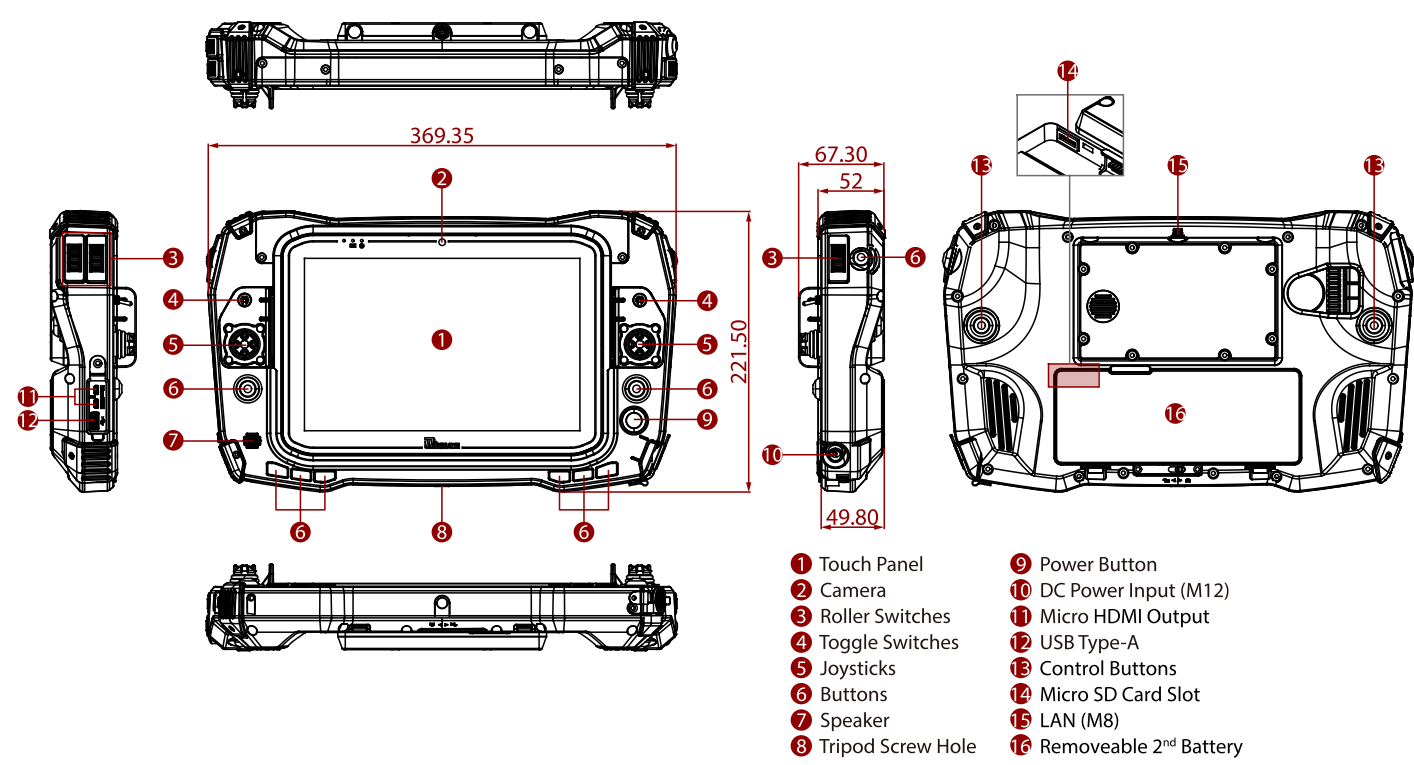


### SPECIFICATIONS

Display			
Resolution	1920x1200	Size	10.1 inches
Contrast Ratio	800:1	Panel Brightness	800.0 nits
View Angles	85,85,85,85	Type	Projected Capacitive Multi Touch
Viewability	Anti-Glare touch treatment	Touch Mode	Support Hand / Gloves and Rain Mode
System Specification			
Processor	Genio 700 2 x A78 2.2GHz + 6 x A55 2.0GHz	Memory	4GB
Storage	64GB	Security	Trusted Platform Module (TPM) 2.0
Operating System	Android 13.0 Linux Ubuntu	WLAN	Support
BT	Support	WWAN	4G (Optional)
GNSS	GPS/GLONASS	Sensors	Light Sensor
Camera			
Front Camera	2MP Front Camera		
Mechanical			
Dimension	369.35 x 221.5 x 67.3 mm	Weight	2.4kg
Cooling System	Fan Design		
IO Ports			
USB Port	1 x USB 2.0	SD Card Slot	1 x Micro SD Card Slot (Max to 2TB)
Video	2 x micro HDMI output	Audio	1x Speaker
LAN	1 x Giga LAN M8 LAN Connector		
Environment			
Operating Humidity	10% to 90% RH, non-condensing	Operating Temperature	-20°C to 60°C (AC mode), -10°C to 50°C (Battery mode)
Storage Temperature	-30°C to 70°C (-22°F to 158°F)	Shock	MIL-STD-810H Method 516.8 Procedure I
Vibration	MIL-STD-810H Method 514.8 Procedure I	IP rating	IP65
Certification			
Certification	CE, FCC		
Control			

<b>Button</b>	Left Side: 1x joystick 2x roller switch 1x 2 band toggle switch 4x button (front side) 1x control button (rear side) Right Side: 1x joystick 1x roller switch 5x button (front side) 1x power button 1x 2 band toggle switch 1x control button (rear side)		
<b>Power</b>			
<b>Battery</b>	11.4V, typ. 3500 mAh Lilon Rechargeable Internal Battery (3S1P)	<b>Power Rating</b>	19V DC
	11.4V, typ. 3500 mAh Lilon Rechargeable Secondary Battery (3S1P)		
<b>Adapter</b>	100-240V, 50-60Hz / 19V DC		
<b>Security Function</b>			
<b>SOTI MobiControl</b>	SOTI MobiControl Compliance		
<b>Accessory</b>			
<b>Accessory</b>	Adapter and Power Cord	<b>Optional Accessory</b>	Battery Charger (Optional) Stylus (Optional) shoulder strap(Optional)
<b>Communication Link</b>			
<b>Antenna</b>	2x 3dBi Antennas	<b>Frequency</b>	2.4GHz
<b>Output Power</b>	1W, Adjustable		

**DIMENSIONS** UNIT:MM



**NOTE**

- 1.This is a simplified drawing and some components are not marked in detail.
- 2.Please contact our sales representative if you need further product information.
- 3.All specifications are subject to change without prior notice.
- 4.The product shown in this datasheet is a standard model.For diagrams that contain customized or optional I/ O, please contact the Winmate Sales Team for more information.