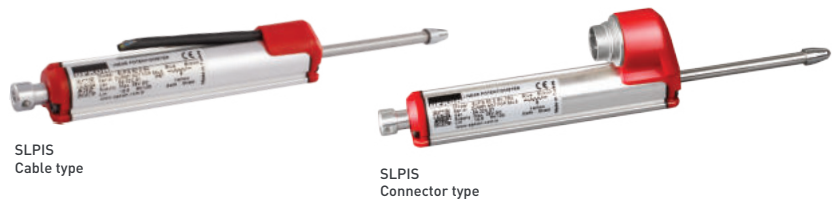


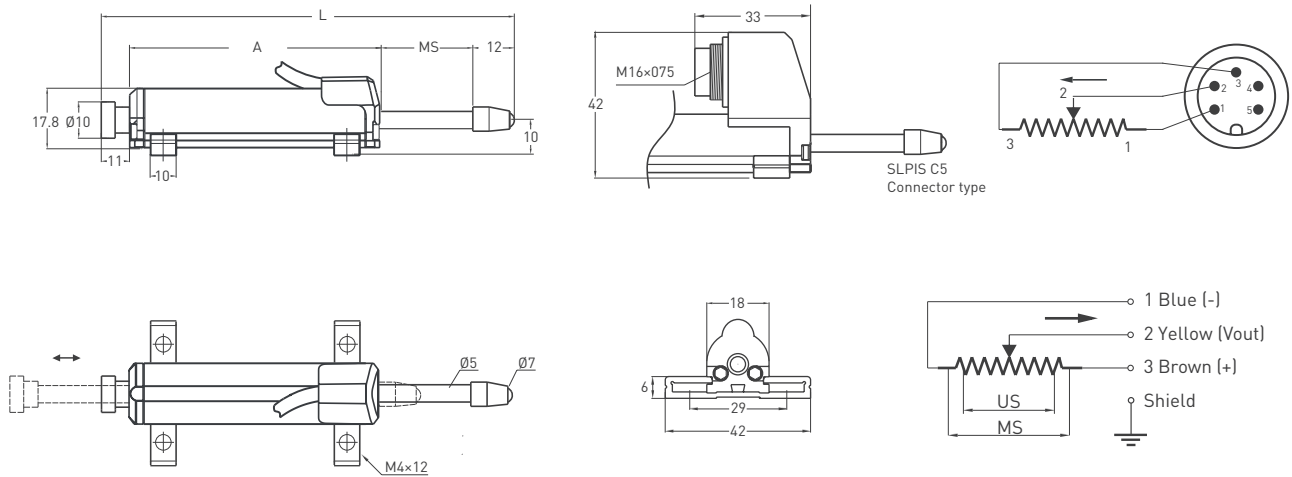
Linear Potentiometer Internal Spring Return, Slim Body Series

- Measuring range 10 - 100 mm
- For tight are applications
- ≤ 0.002 mm repeatability
- Infinite resolution
- 2 kOhm : 10 - 50 mm
- 5 kOhm : 75 - 100 mm



Technical Specifications	
Measurement stroke	10 -100 mm
Linearity	$\pm 0.5\%$ (≤ 75 mm), $\pm 0.2\%$ (100)
Repeatability	≤ 0.002 mm
Resolution	Infinite
Resistance	2 kOhm : 10 - 50 mm 5 kOhm : 75 - 100 mm
Resistance tolerance	$\pm 20\%$
Recommended wiper current	$< 1 \mu\text{A}$
Permissible applied voltage	28 VDC max.
Electrical connections	Connector or 1 m cable output
Displacement speed	< 5 m/s
Mechanical life	100 millions movement
Case dimensions	$\varnothing 18$ mm
Case material	Anodized aluminium
Rod material	Stainless steel
Rod diameter	$\varnothing 5$ mm
Mechanical fixing	Variable brackets
Protection level	IP 40
Operating temperature	$-30^\circ\text{C} \dots +100^\circ\text{C}$
Storage temperature	$-30^\circ\text{C} \dots +100^\circ\text{C}$

Mechanical Specifications



SLPIS (mm)	10	25	50	75	100
US (Usefull Stroke)	10	25	50	75	100
MS ± 0.5 (Mechanical Stroke)	13	28	53	78	103
A ± 0.5	59	74	105	132	164
L ± 0.5 (Total Length)	95	125	181	233	290

Ordering Procedure

Model	Measurement stroke (mm)	Linearity (%)	Resistance (kOhm)	Connector / Cable
SLPIS	25	B	5K	1M
SLPIS	10 - 100 mm	A: $\pm 0.5\%$ (≤ 75 mm), B: $\pm 0.2\%$ (100 mm)	2K: 2 kOhm (10-50 mm) 5K: 5 kOhm (75-100mm)	1M: 1 meter cable (standard) CN5B: M16, 5 pin connector

Please note: The specifications and information in this datasheet may not cover all special demands arising from specific applications. Therefore, they do not constitute a comprehensive description of the product properties. OPKON accepts no responsibility for damages resulting from the improper application of our products. The user is responsible for ensuring that the products used are suitable for their own application.