



CAMERA SYSTEMS



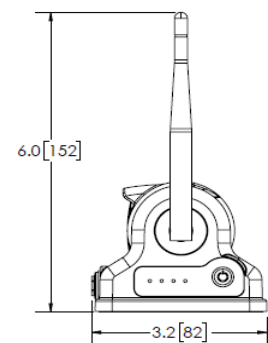
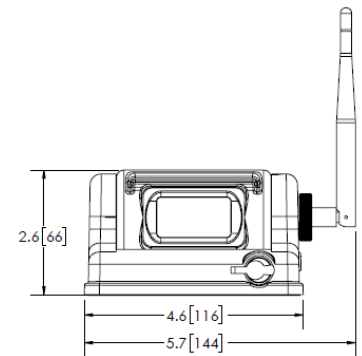
EC2030-WC Gemineye™ Battery Operated Wireless Camera

The Gemineye™ battery operated wireless camera system utilizes ECCO's unique camera design. Comprising a feature-packed CMOS color infrared camera, the EC2030-WC delivers excellent picture quality even in low-light conditions. With short charging time, long battery life, and a heavy-duty magnet mount, this camera is perfect for a variety of applications. The compact camera allows for unobtrusive installation without compromising viewable area.



FEATURES & BENEFITS

- Waterproof
- Battery capacity indicator
- Overcharging / Overdischarging protected
- Short-circuit protection
- Over-heat and low temperature protection
- vUSB charging cord included

approvals	FCC, CE, RoHS, IP69K, EU-RED
color	Yes
discharging time	12 hours (continuous on)
charging time	5 hours
day / night light sensor	Yes
audio	Yes
weight	1.38 lbs
temperature (F°)	-22F to +158F
lens angle	120°
line of sight range	120m
infrared LEDs	4
mechanical vibration	10G
operation frequency	2400-2483.5 MHz
standby mode	30 seconds of inactivity
magnetic strength	60 lbs
video codec	MPEG4



COMPATIBLE COMPONENTS

-  EC7008-WM
-  EC7008-WK

ACCESSORIES & REPLACEMENT PARTS

- EW4002-NA Wall Charger Replacement
- EZ2000HBT Metal Plate with High Bond Tape

T 800-635-5900 | orders@eccogroup.com