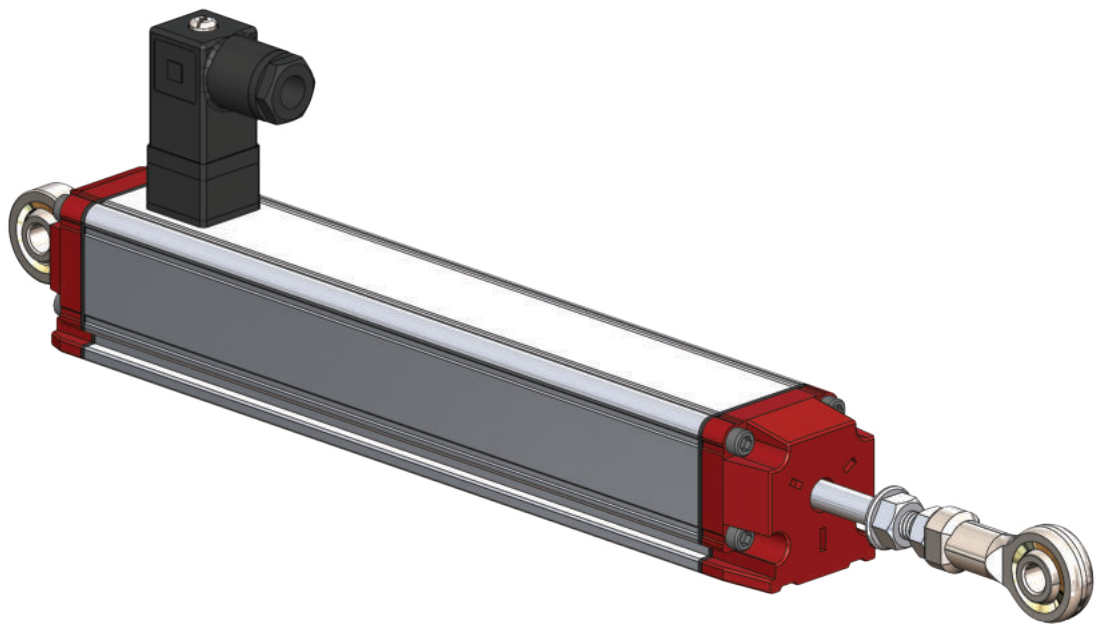


## RTM

Linear Potentiometer

Long Stroke Series 50 - 600 mm



## 1. TECHNICAL SPECIFICATIONS

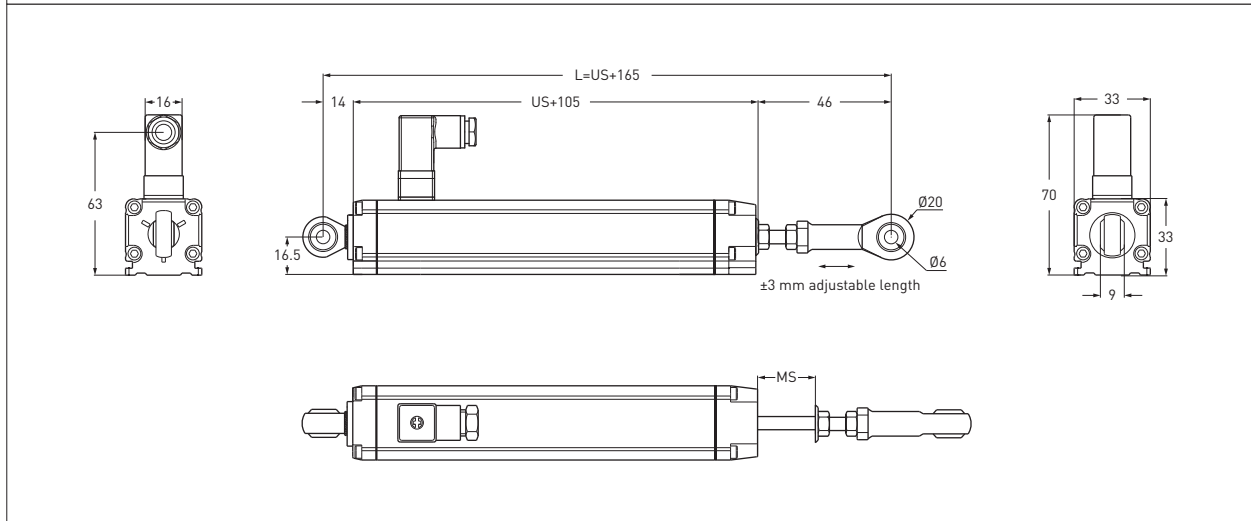


Measurement stroke	50 - 600 mm
Resolution	Infinite
Repeatability	< 0.01 mm
Permissible applied voltage	28 VDC max.
Electrical connections	CH2: Hydraulic type, 4 pin connector output (standard) Cable output (optional)
Displacement speed	< 5 m/s
Mechanical life	100 million movement
Protection level	IP 65
Resistance	5 kOhm: 50 - 600 mm
Resistance tolerance	± %20
Load resistance	100 kOhm min.
Recommended wiper current	<1 µA
Linearity	A: ±%0.5 (≤75 mm) B: ±%0.2 (100 - 125 mm) C: ±%0.1 (130 - 225 mm) D: ±%0.05 (≥250 mm)
Case dimensions	33 mm x 33 mm
Case material	Anodized aluminium
Caps material	ABS plastic
Rod material	Stainless steel
Rod diameter	Ø6 mm
Mechanical fixing	Ball joints on the both sides
Operating temperature	-20°C ... +80°C
Storage temperature	-30°C ... +90°C

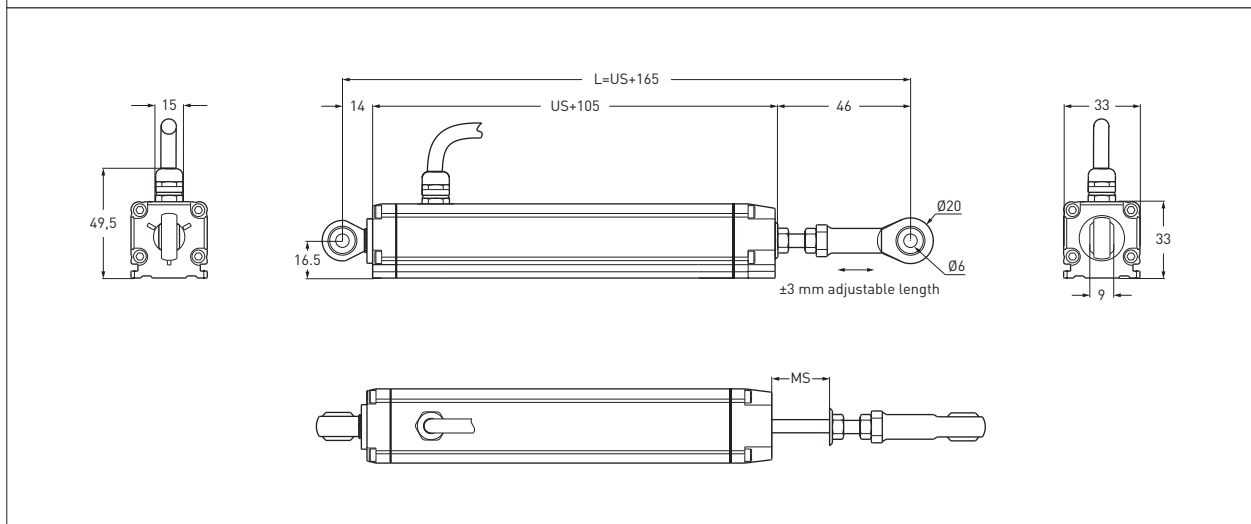
## 2.MECHANICAL SPECIFICATIONS



CH2: Hydraulic type, 4 pin connector output (standard)

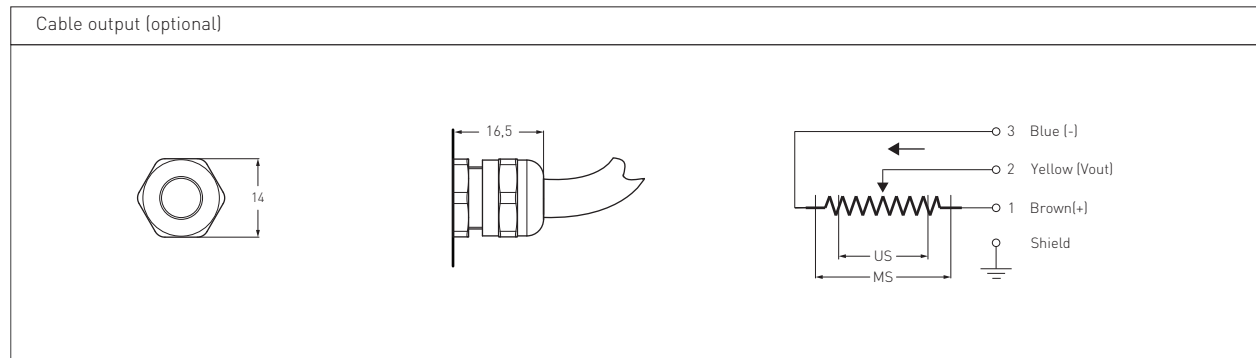
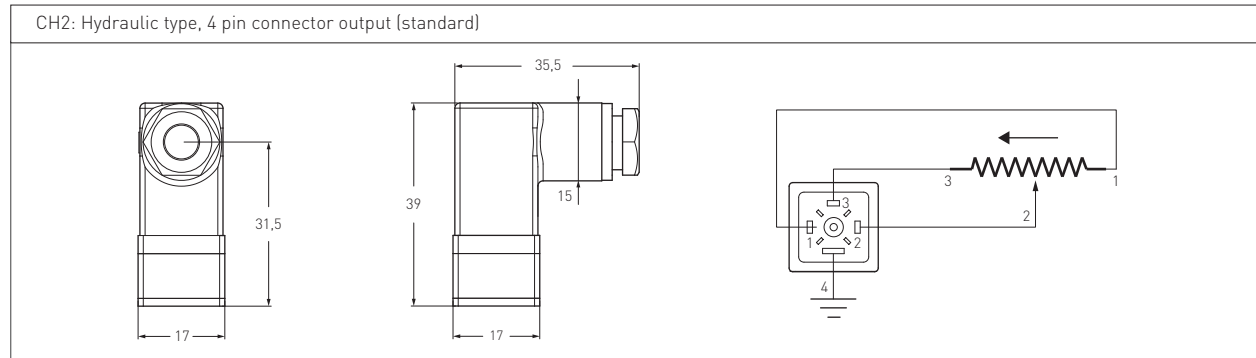


Cable output (optional)

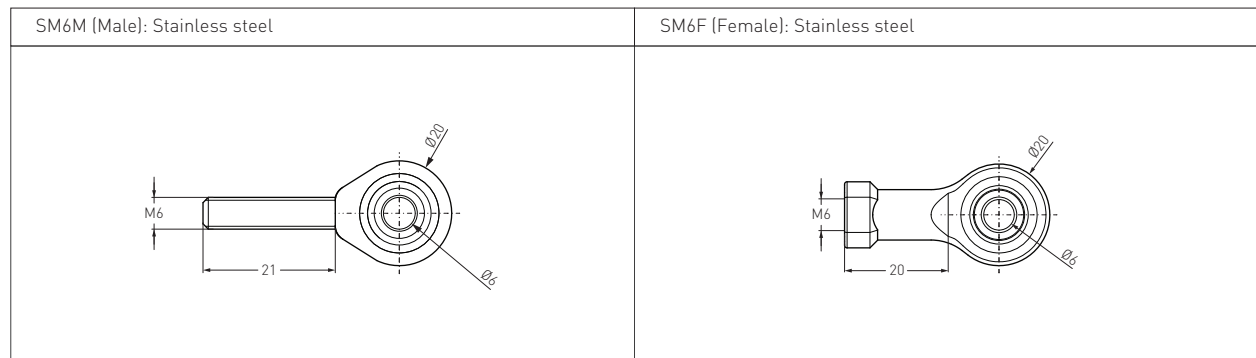


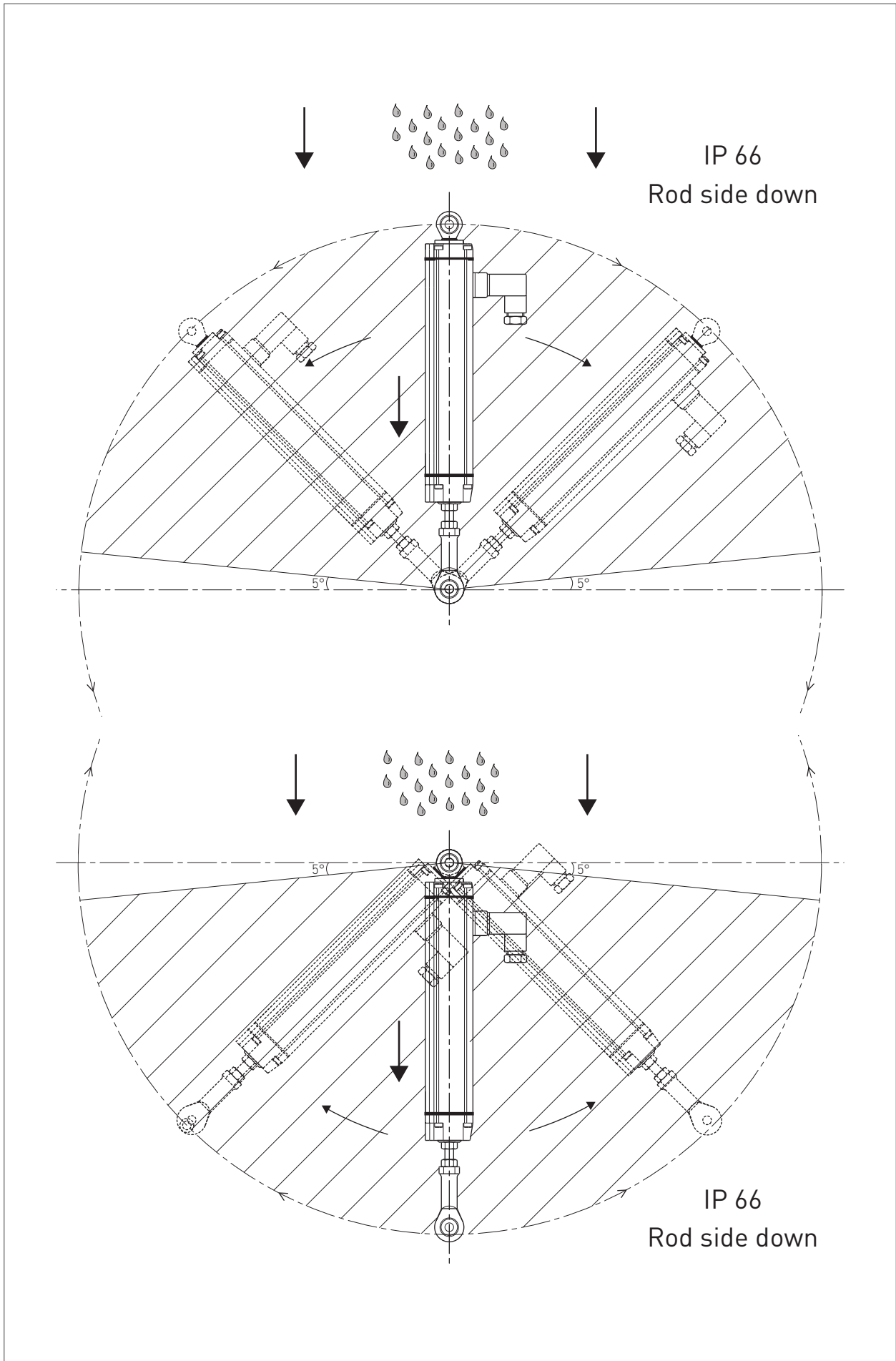
RTM (mm)	50	75	100	125	130	150	175	200	225	250	275	300	325	350	375	400	450	500	550	600
US (Usefull stroke)	50	75	100	125	130	150	175	200	225	250	275	300	325	350	375	400	450	500	550	600
MS (Mechanical stroke)	54	79	104	129	134	154	179	204	229	254	279	304	329	354	379	404	454	504	554	604
L (Total Length)	215	240	265	290	295	315	340	365	390	415	440	465	490	515	540	565	615	665	715	765

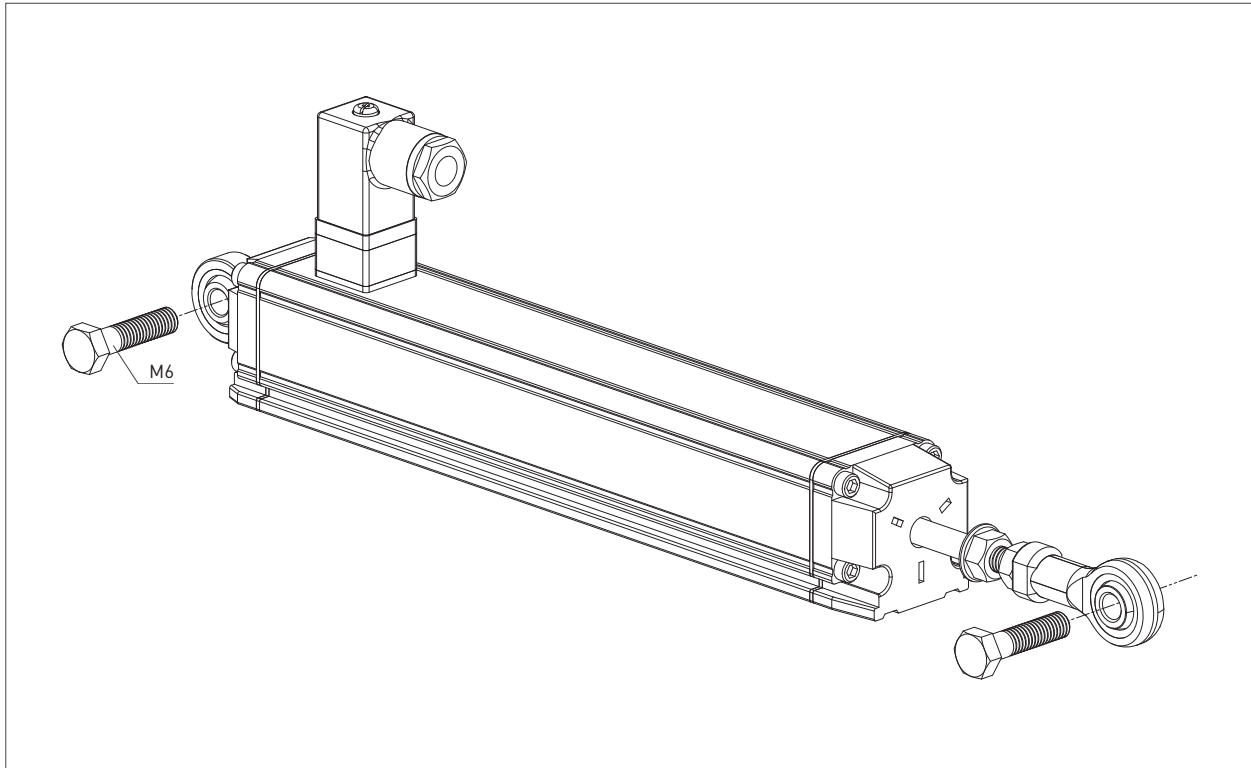
### 3.CONNECTOR AND CABLE



### 4.BALL JOINT







## 7.ORDERING PROCEDURE

<b>1</b>	<b>Model</b> RTM: Linear Potentiometer Long Stroke Series
<b>2</b>	<b>Measuring range</b> 50 - 600 mm
<b>3</b>	<b>Linearity</b> A: $\pm 0.5$ ( $\leq 75$ mm) B: $\pm 0.2$ (100 - 125 mm) C: $\pm 0.1$ (130 - 225 mm) D: $\pm 0.05$ ( $> 250$ mm)
<b>4</b>	<b>Resistance (kOhm)</b> 5K: 5 kOhm (30 - 600 mm)
<b>5</b>	<b>Connector / Cable</b> CH2: Hydraulic type, 4 pin connector (standard) 1M: 1 meter cable (optional) 2M5: 2.5 meter cable (optional)

For example:

RTM	500	D	5K	CH2
<b>1</b>	<b>2</b>	<b>3</b>	<b>4</b>	<b>5</b>

**TÜRKİYE**  
Headquarter, R&D, Production

**OPKON Optik Elektronik Kontrol Sanayi ve Ticaret A.Ş.**  
Terazidere Mah. 29 Ekim Cad. No:34 Bayrampaşa / İstanbul / TÜRKİYE  
Phone : +90 (212) 501 48 63  
Fax : +90 (212) 501 48 83  
Web : www.opkon.com.tr  
E-mail : export@opkon.com.tr

**GERMANY**  
Subsidiary

**SENSORMARKET GmbH**  
Graeffstrasse. 5, 50823 Köln / GERMANY  
Phone : +49 22159495400  
Fax : +49 22159495402  
Web : www.sensormarker.eu  
E-mail : sales@sensormarket.eu

**CHINA**  
Subsidiary

**DANZI Sense Technology**  
(Shanghai) Co., LTD. Room 123 - B, F/1, No. 1000 Ziyue Road, Minhang District, 200240 Shanghai / CHINA  
Hotline : 400 8050 889  
Phone : 021 - 64091719  
Fax : 021 - 64091713  
Web : www.opkonchina.com  
E-mail : marketing@opkonchina.com

**opkon.com.tr**

Please note: The specifications and information in this datasheet may not cover all special demands arising from specific applications. Therefore, they do not constitute a comprehensive description of the product properties. OPKON accepts no responsibility for damages resulting from the improper application of our products. The user is responsible for ensuring that the products used are suitable for their own application.