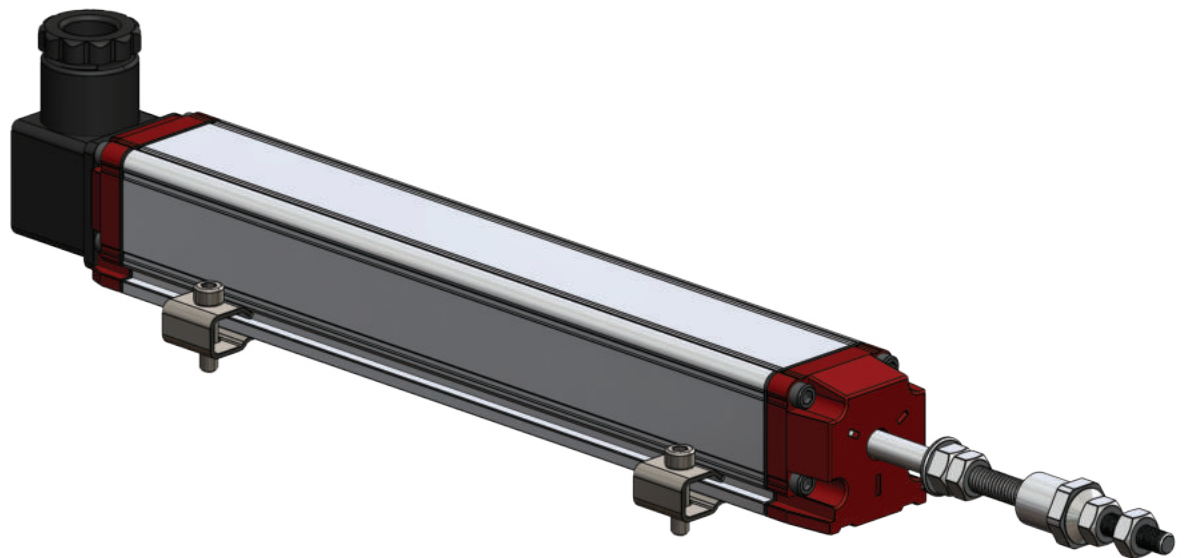


RTL

Linear Potentiometer

Long Stroke Series 30 - 1.000 mm



1. TECHNICAL SPECIFICATIONS

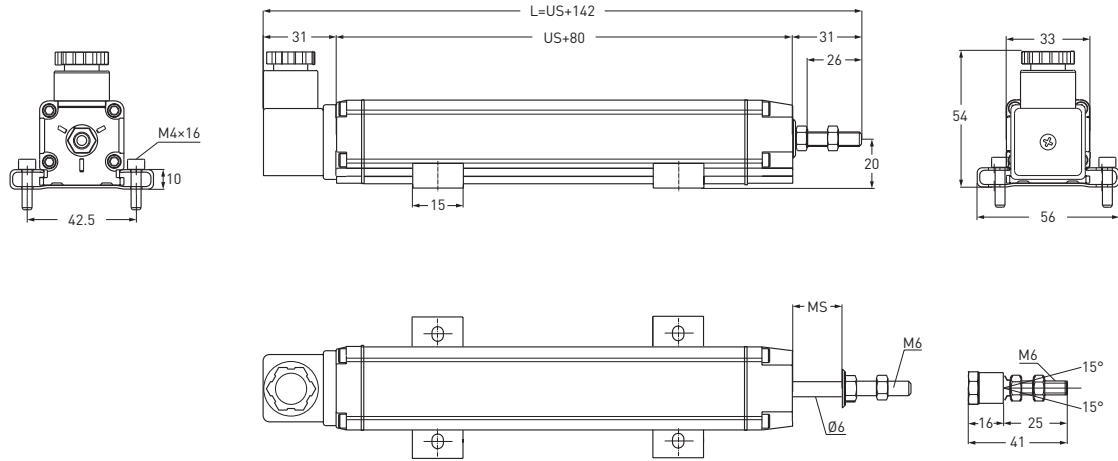


Measurement stroke	30 - 1.000 mm
Resolution	Infinite
Repeatability	< 0.01 mm
Permissible applied voltage	28 VDC max.
Electrical connections	CH1: Hydraulic type, 4 pin connector output (standard) CN5A (M12) or CN5B (M16), 5 pin connector output (optional)
Displacement speed	< 5 m/s
Mechanical life	100 million movement
Protection level	IP 65
Vibration	EN 60068-2-6 5-2000 Hz 200 m/s ² (20g) 2h 30min each axis (x,y,z)
Shock	EN 60068-2-2:2007 500 m/s ² (50g) 11ms. (x,y,z axis)
Resistance	5 kOhm: 30 - 600 mm 10 kOhm: 650 - 1.000 mm
Resistance tolerance	± %20
Load resistance	100 kOhm min.
Recommended wiper current	<1 µA
Linearity	A: ±%0.5 (≤75 mm) B: ±%0.2 (100 - 125 mm) C: ±%0.1 (130 - 225 mm) D: ±%0.05 (≥250 mm)
Case dimensions	33 mm x 33 mm
Case material	Anodized aluminium
Rod material	Stainless steel AISI 303
Caps material	ABS plastic
Rod diameter	Ø6 mm
Mechanical fixing	Variable brackets
Operating temperature	-20°C ... +80°C
Storage temperature	-30°C ... +90°C

2.MECHANICAL SPECIFICATIONS

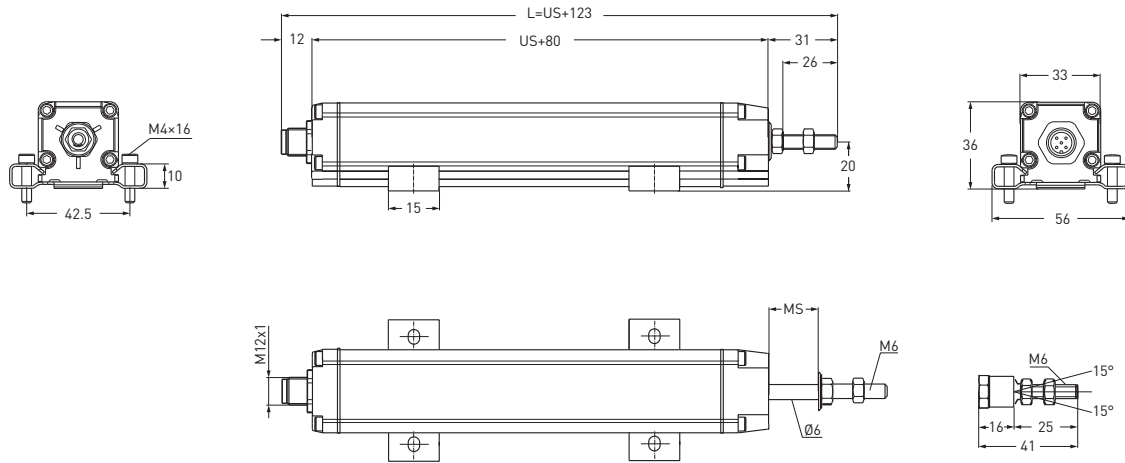


CH1: Hydraulic type, 4 pin connector output (standard)



RTL (mm)	30	50	75	100	125	130	150	175	200	225	250	275	300	325	350	375	400	450	500	550	600	650	700	750	800	850	900	1000
US (Usefull stroke)	30	50	75	100	125	130	150	175	200	225	250	275	300	325	350	375	400	450	500	550	600	650	700	750	800	850	900	1000
MS±0,5 (Mechanical stroke)	34	54	79	104	129	134	154	179	204	229	254	279	304	329	354	379	404	454	504	554	604	654	704	754	804	854	904	1004
L (Total stroke)	172	192	217	242	267	272	292	317	342	367	392	417	442	467	492	517	542	592	642	692	742	792	842	892	942	992	1042	1142

CN5A (M12) or CN5B (M16), 5 pin connector output (optional)

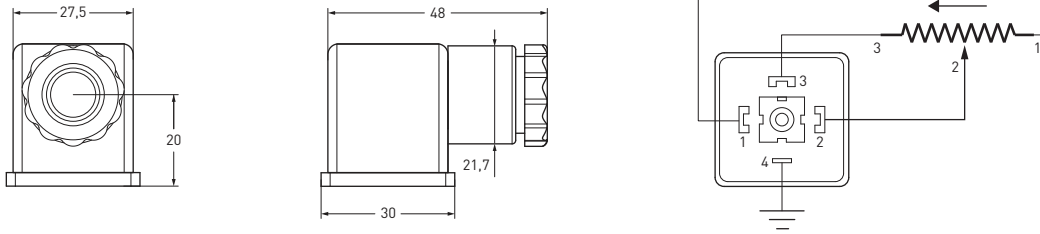


RTL (mm)	30	50	75	100	125	130	150	175	200	225	250	275	300	325	350	375	400	450	500	550	600	650	700	750	800	850	900	1000
US (Usefull stroke)	30	50	75	100	125	130	150	175	200	225	250	275	300	325	350	375	400	450	500	550	600	650	700	750	800	850	900	1000
MS±0,5 (Mechanical stroke)	34	54	79	104	129	134	154	179	204	229	254	279	304	329	354	379	404	454	504	554	604	654	704	754	804	854	904	1004
L (Total stroke)	153	173	198	223	248	253	273	298	323	348	373	398	423	448	473	498	523	573	623	673	723	773	823	873	923	973	1023	1123

3.CONNECTORS, CABLE AND BRACKET



CH1: Hydraulic type, 4 pin connector (standard)



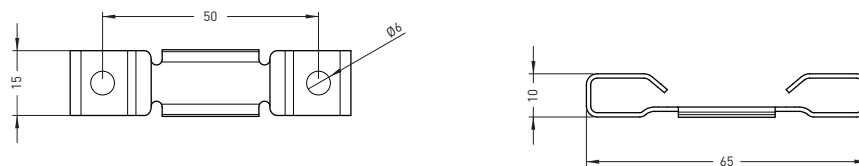
CN5A: 5 pin, M12 connector (optional)

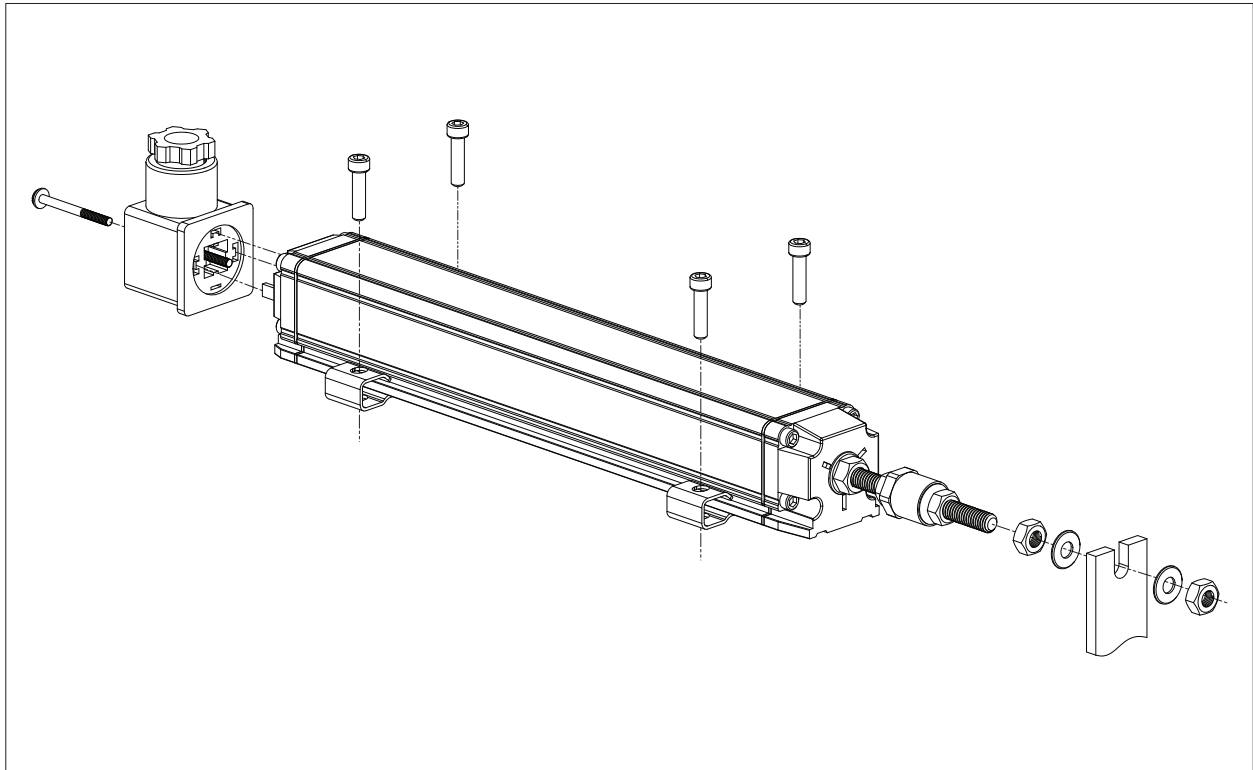


CN5B: 5 pin, M16 connector (optional)



BR02 : Brackets





5.ORDERING PRODECURE

1	Model
	RTL: Linear Potentiometer Long Stroke Series
2	Measuring range
	30 - 1.000 mm
3	Linearity
	A: ± 0.5 (≤ 75 mm) B: ± 0.2 (100 - 125 mm) C: ± 0.1 (130 - 225 mm) D: ± 0.05 (≥ 250 mm)
4	Resistance (kOhm)
	5K: 5 kOhm (30 - 600 mm) 10K: 10 kOhm (650 - 1.000 mm)
5	Connector
	CH1: Hydraulic type, 4 pin connector (standard) CN5A: 5 pin, M12 connector (optional) CN5B: 5 pin, M16 connector (optional)

For example:

RTL	500	D	5K	CH1
1	2	3	4	5

TÜRKİYE
Headquarter, R&D, Production

OPKON Optik Elektronik Kontrol Sanayi ve Ticaret A.Ş.
Terazidere Mah. 29 Ekim Cad. No:34 Bayrampaşa / İstanbul / TÜRKİYE
Phone : +90 (212) 501 48 63
Fax : +90 (212) 501 48 83
Web : www.opkon.com.tr
E-mail : export@opkon.com.tr

GERMANY
Subsidiary

SENSORMARKET GmbH
Graeffstrasse. 5, 50823 Köln / GERMANY
Phone : +49 22159495400
Fax : +49 22159495402
Web : www.sensormarker.eu
E-mail : sales@sensormarket.eu

CHINA
Subsidiary

DANZI Sense Technology
(Shanghai) Co., LTD. Room 123 - B, F/1, No. 1000 Ziyue Road, Minhang District, 200240 Shanghai / CHINA
Hotline : 400 8050 889
Phone : 021 - 64091719
Fax : 021 - 64091713
Web : www.opkonchina.com
E-mail : marketing@opkonchina.com

opkon.com.tr

Please note: The specifications and information in this datasheet may not cover all special demands arising from specific applications. Therefore, they do not constitute a comprehensive description of the product properties. OPKON accepts no responsibility for damages resulting from the improper application of our products. The user is responsible for ensuring that the products used are suitable for their own application.